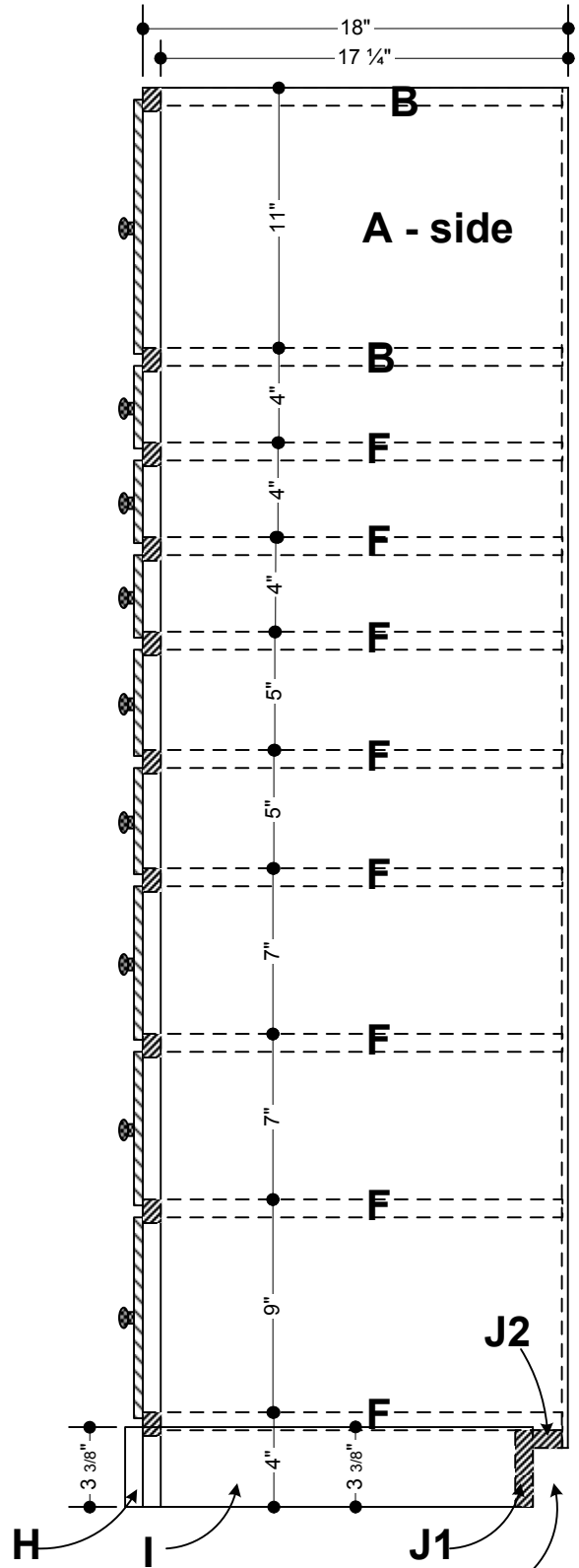
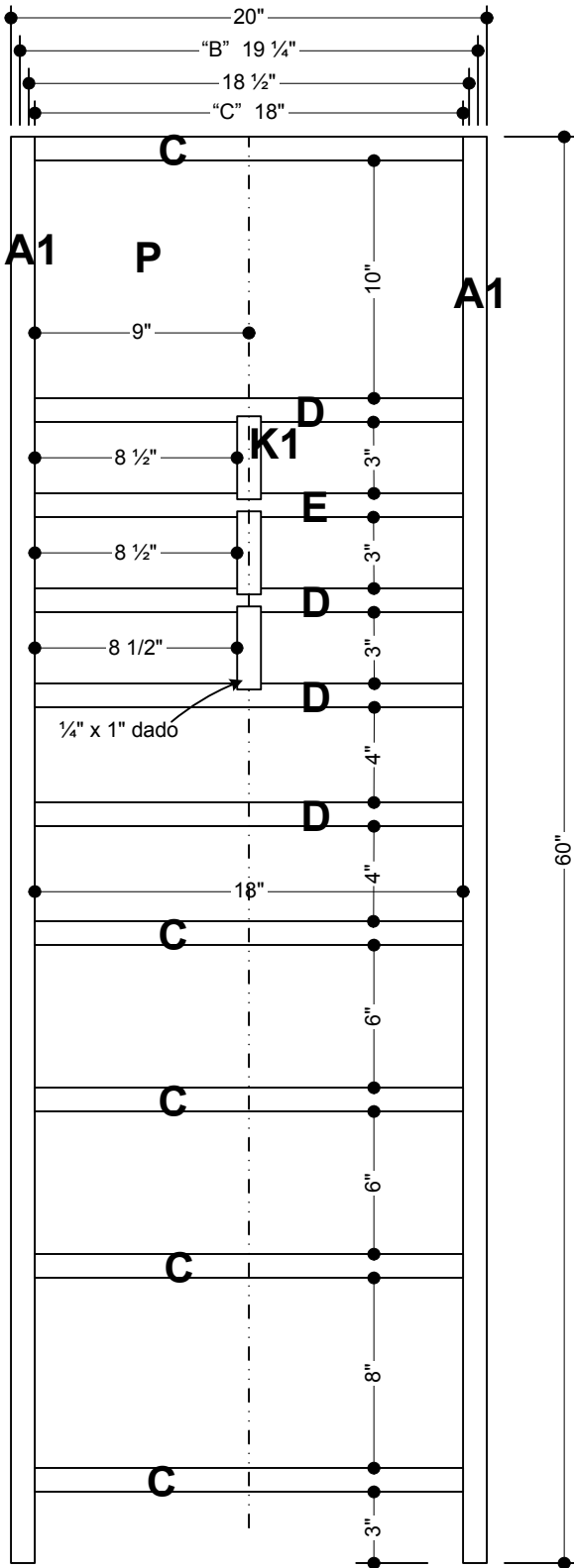


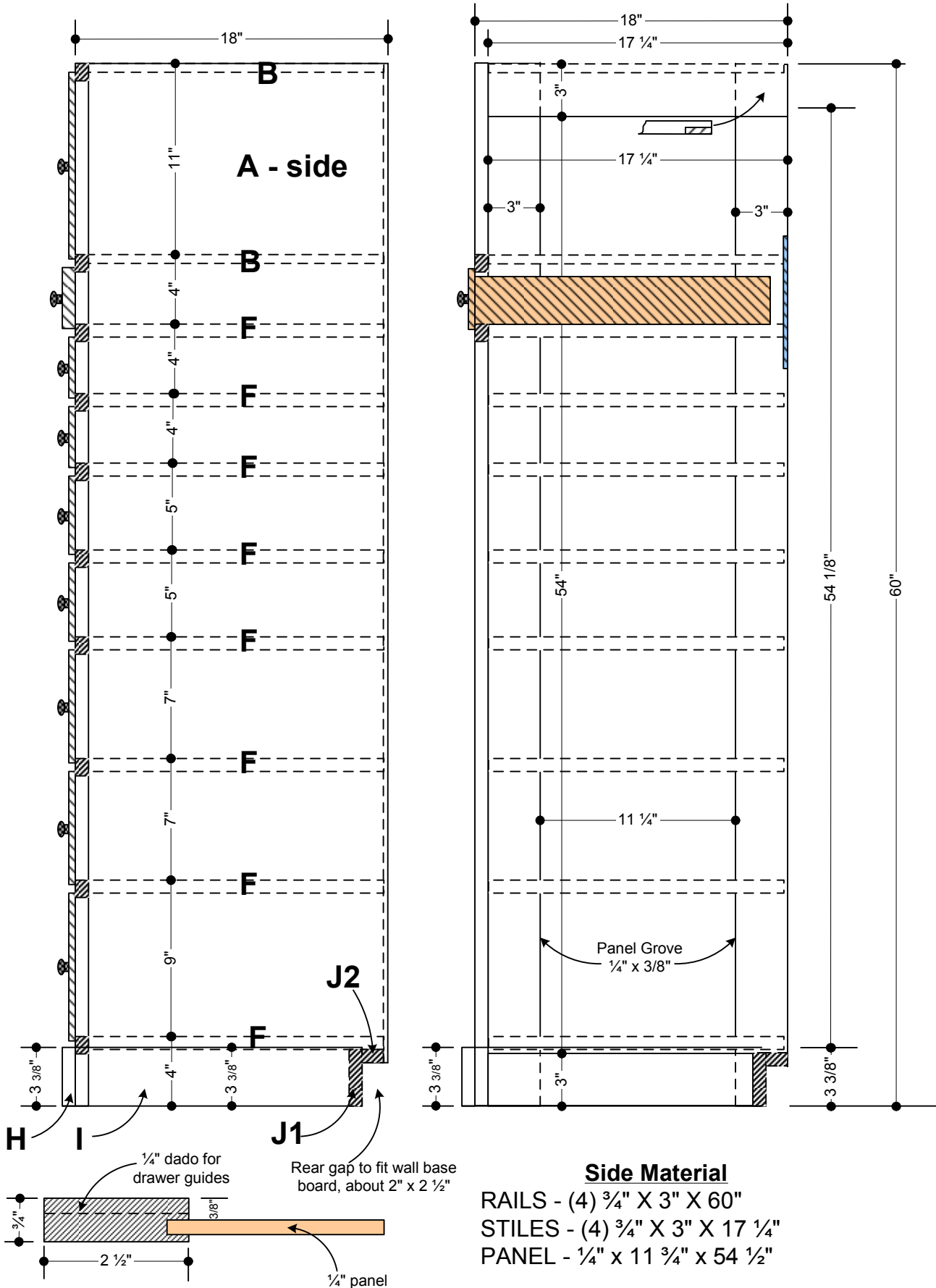
# Shop Cabinet

RJF 4/29/2005



Rear gap to fit wall base board, about 1 1/2" x 2 1/2"

# Alternate side construction (Stile, Rail & Panel)



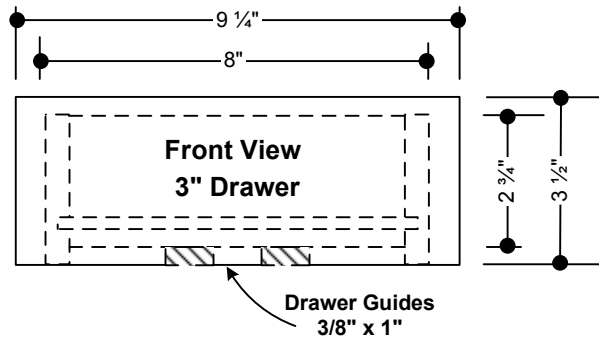
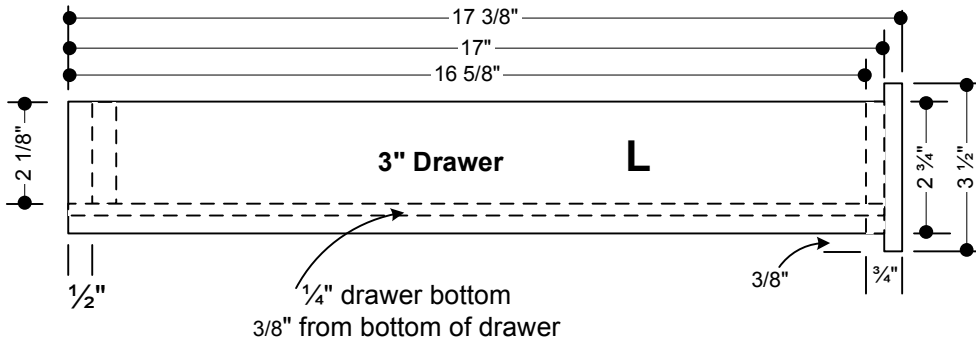
# *Shop Cabinet*

## *Parts List*

Cut List					
Part	Qty	T	W	L	Material
A - Sides	2	3/4"	17 1/4"	60"	Plywood
A1 - Front Stiles	2	3/4"	1"	60"	Pine
B - Top & Bottom	2	3/4"	19 1/4"	17"	Plywood
C - Rails	5	3/4"	1"	18"	Pine
D - Rails	4	3/4"	1"	18"	Pine
E - Rails	1	3/4"	1"	18"	Pine
F - Drawer Guide - side	16	3/4"	1 1/2"	17"	Pine
G1 - Drawer Guide - front/back	16	3/4"	1 1/2"	19 1/4"	Pine
G2 - Drawer Center Guide	11	3/4"	1 1/2"	17"	
H - Front Base	1	3/4"	3 3/8"	21 1/2"	Pine
I - Side Base	2	3/4"	3 3/8"	17 1/4"	Pine
J1 - Rear Base	1	3/4"	3 1/4"	18 1/2"	Pine
J2 - Rear Base Filler	1	3/4"	1 1/4"	18 1/2"	Pine
K1 - Drawer Divider	2	3/4"	1"	3 1/2"	Pine
K2 - Drawer Divider	1	3/4"	1"	4 1/2"	Pine
L - Drawer Sides	22	1/2"	see chart	17 1/4"	Plywood
M1 - 8 1/2" Drawer Front	6	3/4"	see chart	9 1/4"	Pine
N1 - 8 1/2" Drawer Back	6	1/2"	see chart	7 1/2"	Plywood
O1 - 8 1/2" Drawer Bottom	6	1/4"	7 1/2"	16 5/8"	Plywood
M2 - 18" Drawer Front	5	3/4"	see chart	18 3/4"	Pine
N2 - 18" Drawer Back	5	1/2"	see chart	17"	Plywood
O2 - 18" Drawer Bottom	5	1/4"	17"	16 5/8"	Plywood

# Shop Cabinet

## 8 1/2" Drawer



### "L" Drawer side

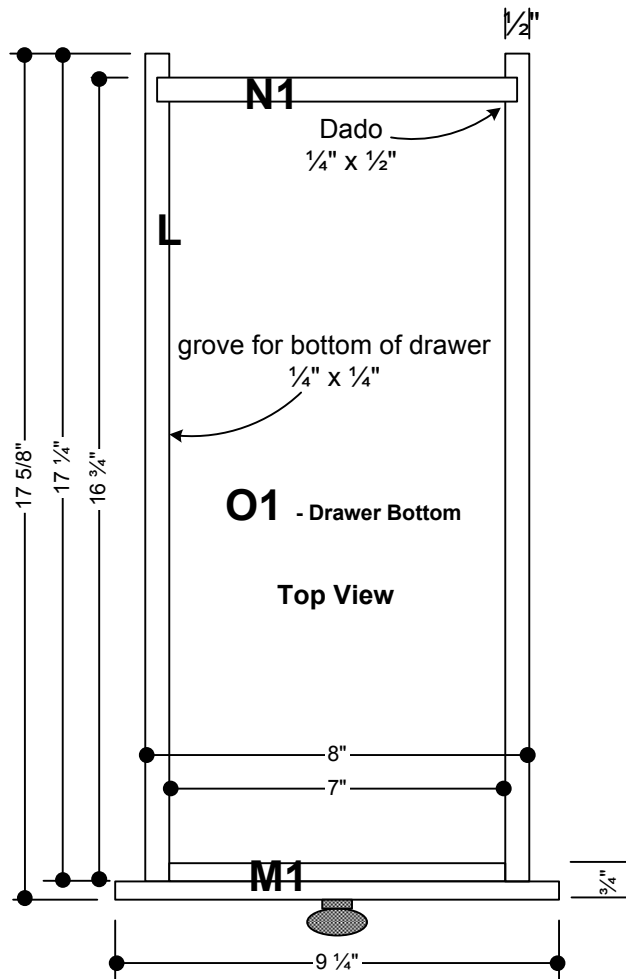
- 3" drawer = 2 3/4" wide
- 4" drawer = 3 3/4" wide
- 6" drawer = 5 3/4" wide
- 8" drawer = 7 3/4" wide

### "N1" & "N2" Drawer back

- 3" drawer = 2 1/4" wide
- 4" drawer = 3 1/4" wide
- 6" drawer = 5 1/4" wide
- 8" drawer = 7 1/4" wide

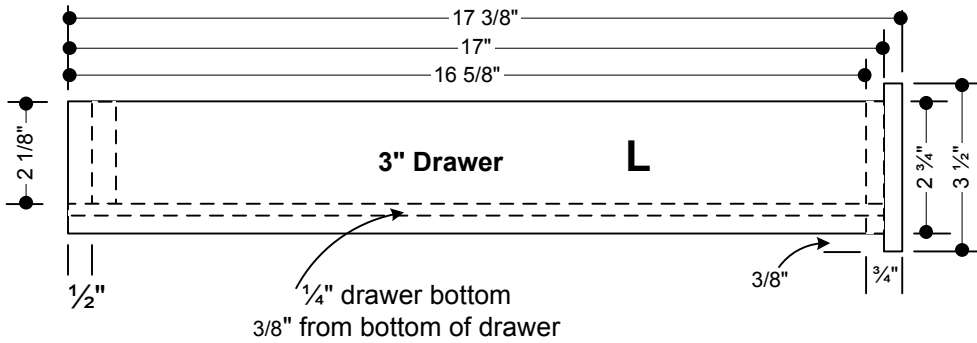
### "M1" & "M2" Drawer front

- 3" drawer = 3 1/2" wide
- 4" drawer = 4 1/2" wide
- 6" drawer = 6 1/2" wide
- 8" drawer = 8 1/2" wide



# Shop Cabinet

## 18" Drawer



### "L" Drawer side

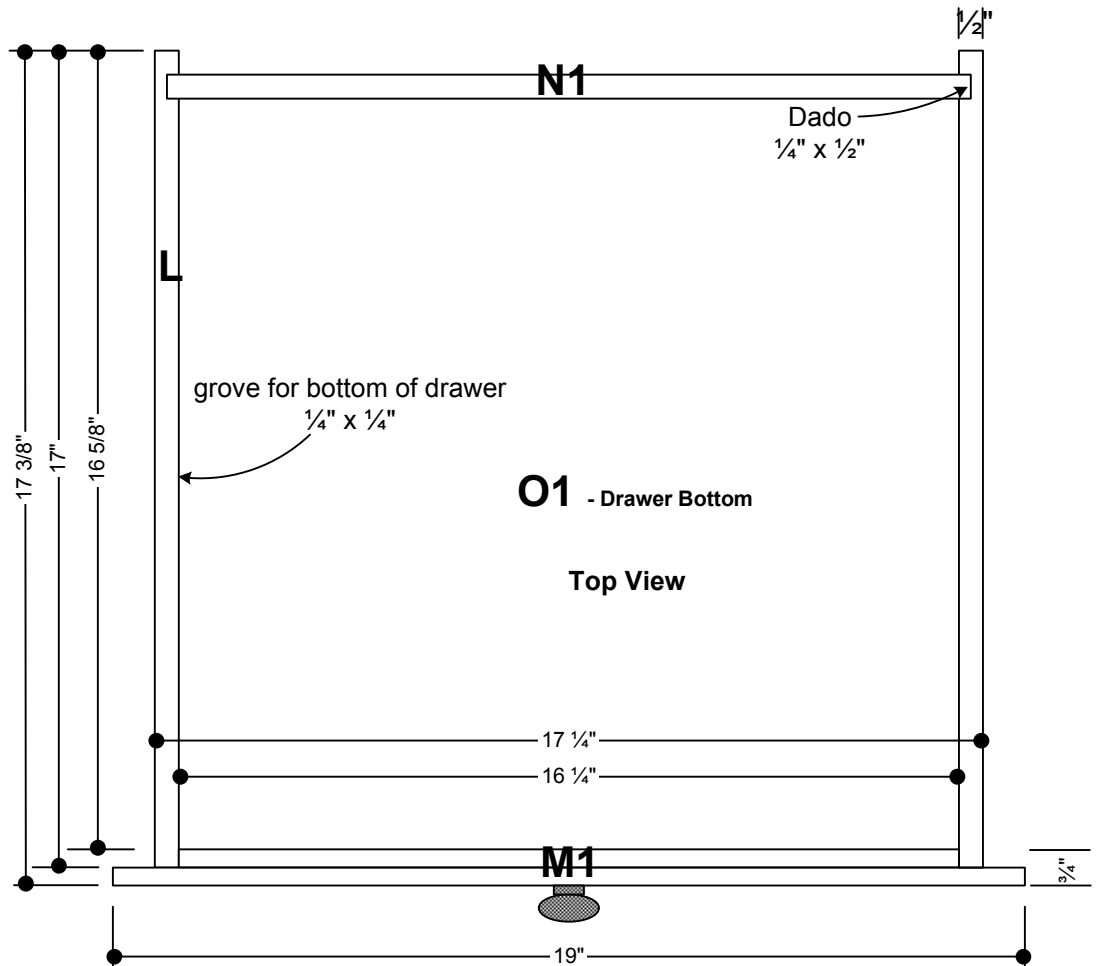
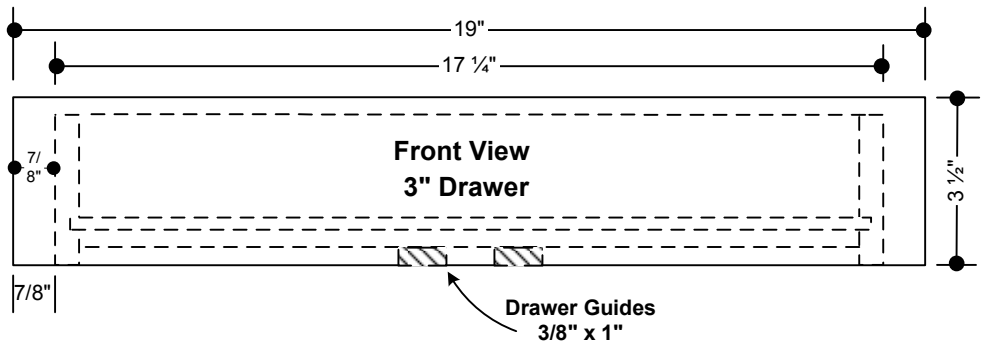
- 3" drawer = 2 3/4" wide
- 4" drawer = 3 3/4" wide
- 6" drawer = 5 3/4" wide
- 8" drawer = 7 3/4" wide

### "N1" & "N2" Drawer back

- 3" drawer = 2 1/4" wide
- 4" drawer = 3 1/4" wide
- 6" drawer = 5 1/4" wide
- 8" drawer = 7 1/4" wide

### "M1" & "M2" Drawer front

- 3" drawer = 3 1/2" wide
- 4" drawer = 4 1/2" wide
- 6" drawer = 6 1/2" wide
- 8" drawer = 8 1/2" wide



# Shop Cabinet Drawer & Drawer Guides

