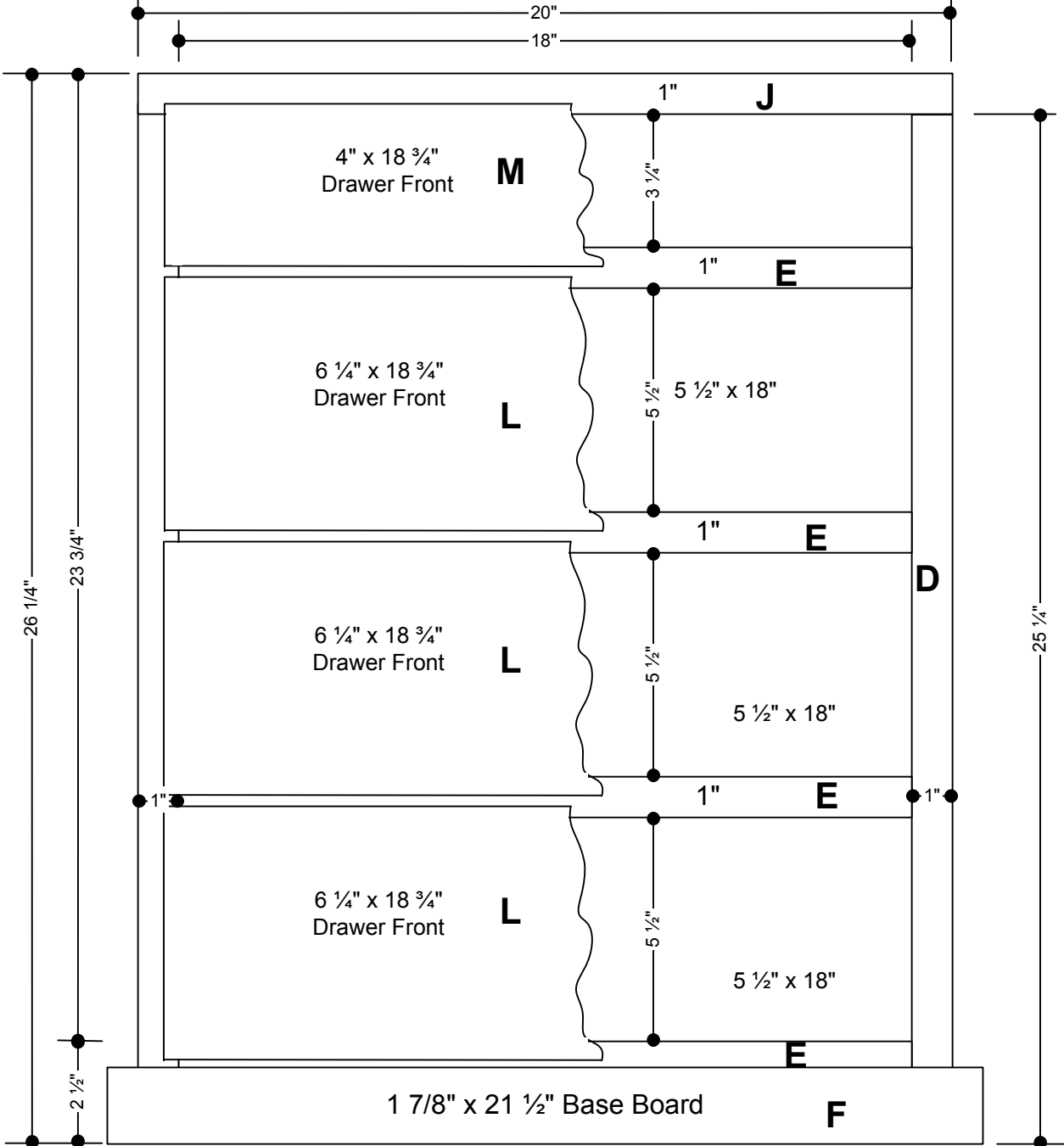


Drillpress Cabinet

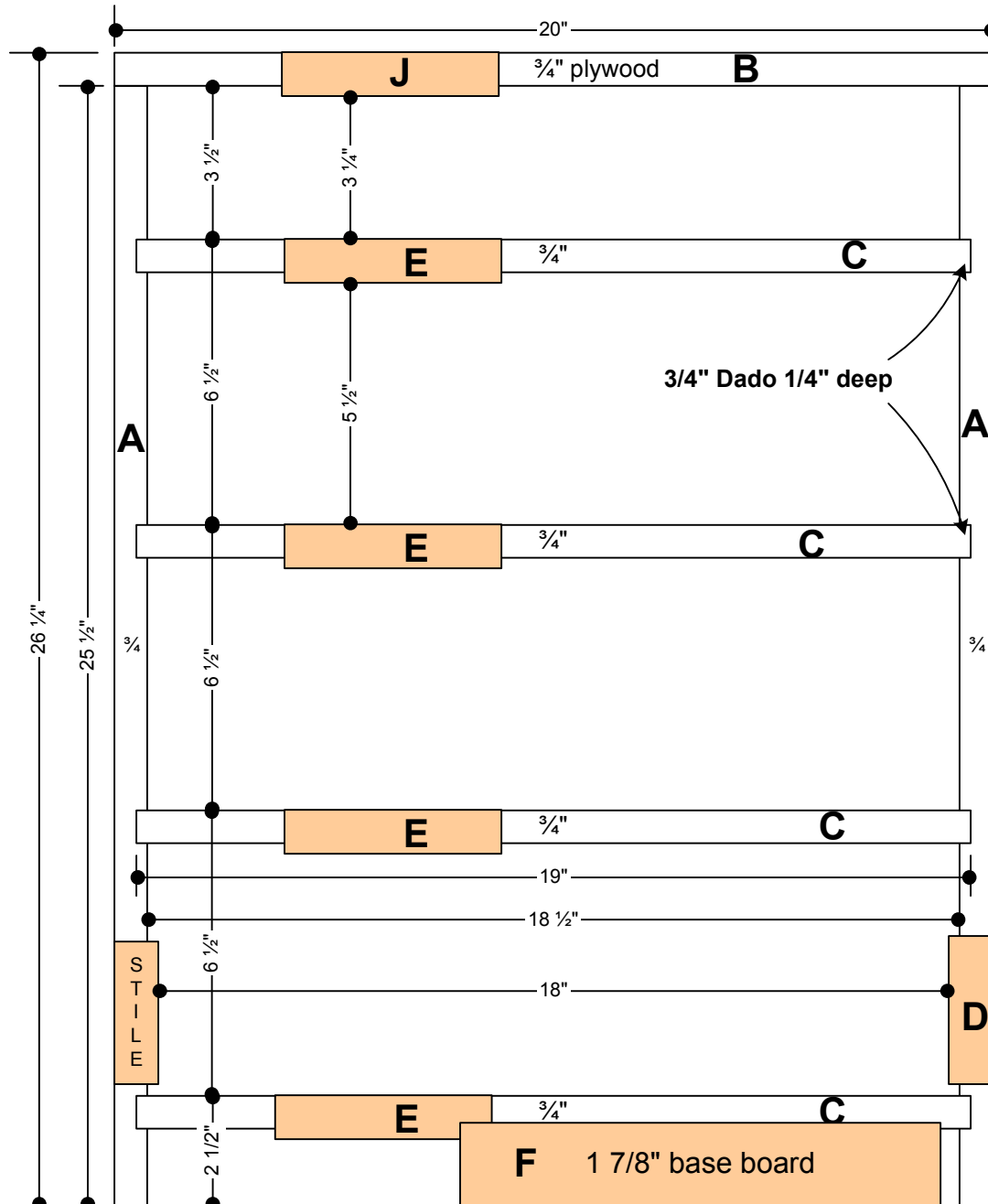
"Front View"

RHF
5/31/2005



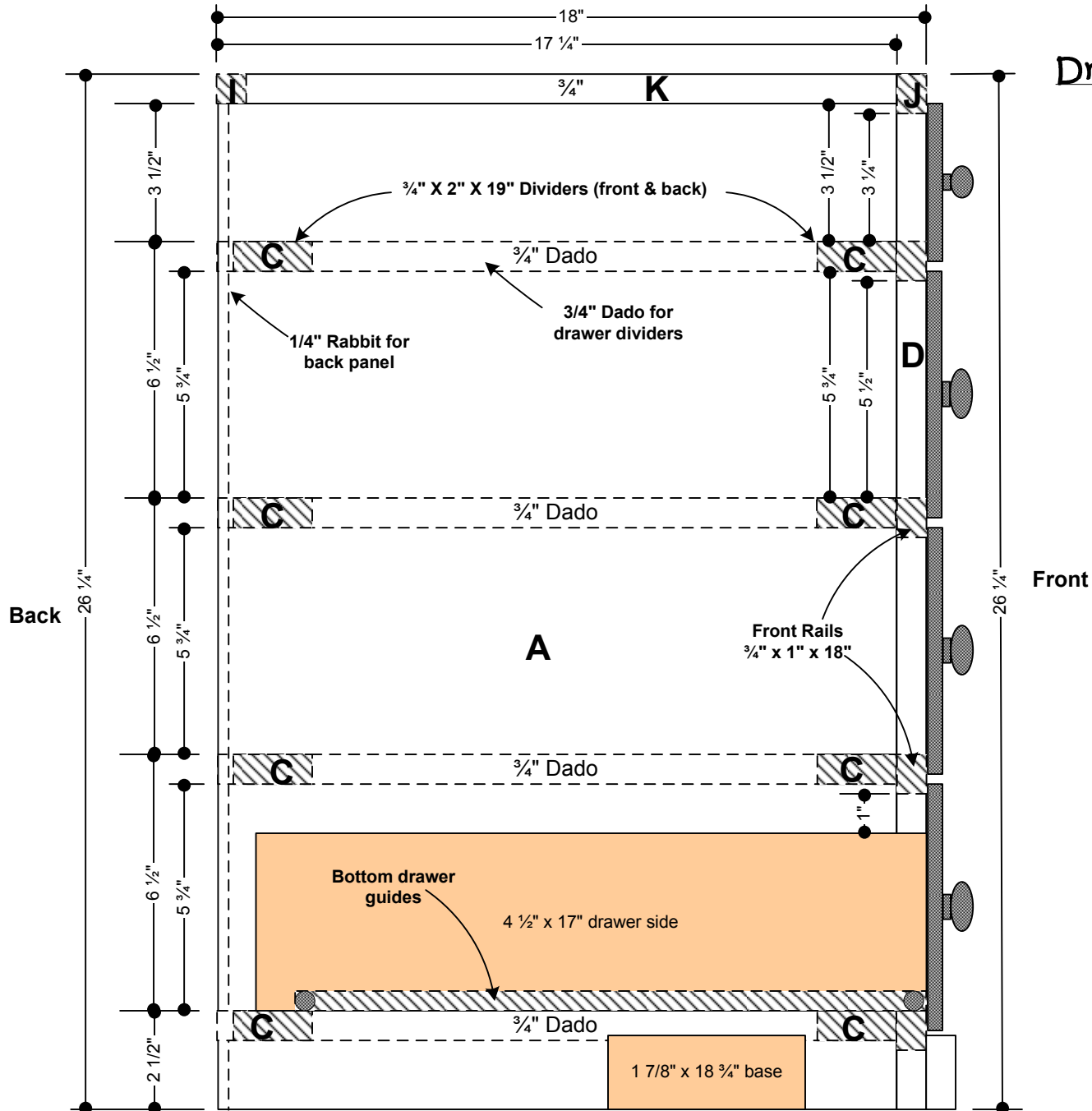
Drillpress Cabinet

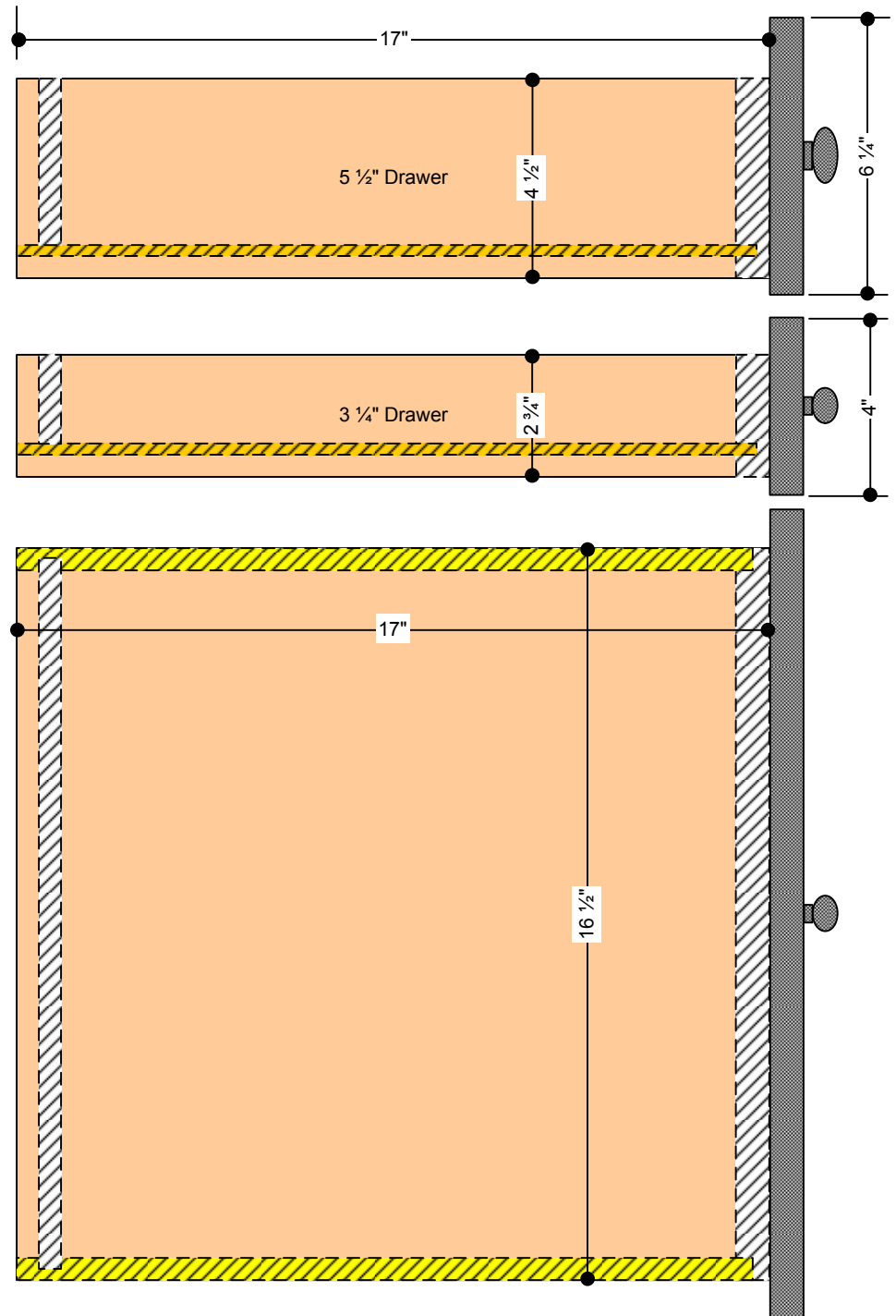
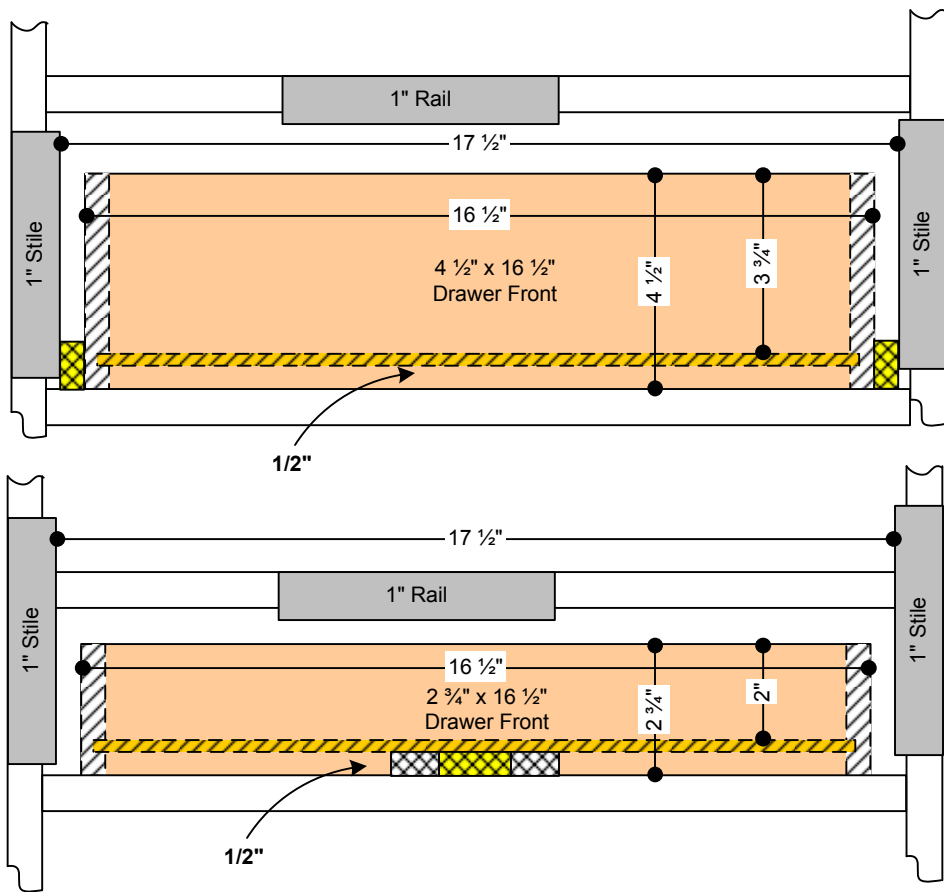
"Front Internal View"



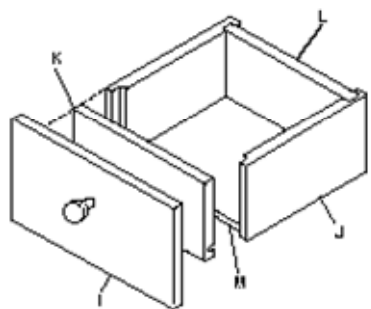
Drillpress Cabinet

"Side View"





Drillpress Cabinet
"Drawer Assembly"



Drillpress Cabinet

"Material Cut List"

"Material List"

2 - 3/4" x 2' x 4' plywood

1 - 1/4" x 2' x 4' plywood

2 - 3/4" x 8" x 8' pine

Part	Cut List				Material
	Qty	T	W	L	
A - Sides	2	3/4"	17 1/4"	25 1/2"	Plywood
B - Top	1	3/4"	18 1/2"	16 1/2"	Plywood
C - Drawer Dividers	8	3/4"	2"	19"	Pine
D - Front Stile	2	3/4"	1"	25 1/4"	Pine
E - Front Rails	4	3/4"	1"	18"	Pine
F - Front Baseboard	1	3/4"	1 7/8"	21 1/2"	Pine
G - Side Baseboards	2	3/4"	1 7/8"	18 3/4"	Pine
H - Back Panel	1	1/4"	19 1/4"	25 1/2"	Plywood
I - Top - back edging	1	3/4"	3/4"	20"	Pine
J - Top - front edging	1	3/4"	1"	20"	Pine
K - Top - side edging	2	3/4"	3/4"	16 1/2"	Pine
L - Drawer Front - 5 1/2"	3	3/4"	6 1/4"	18 3/4"	Pine
M - Drawer Front - 3 1/4"	1	3/4"	4"	18 3/4"	Pine
N - xxx					
O - xx					
P - xx					